

Side

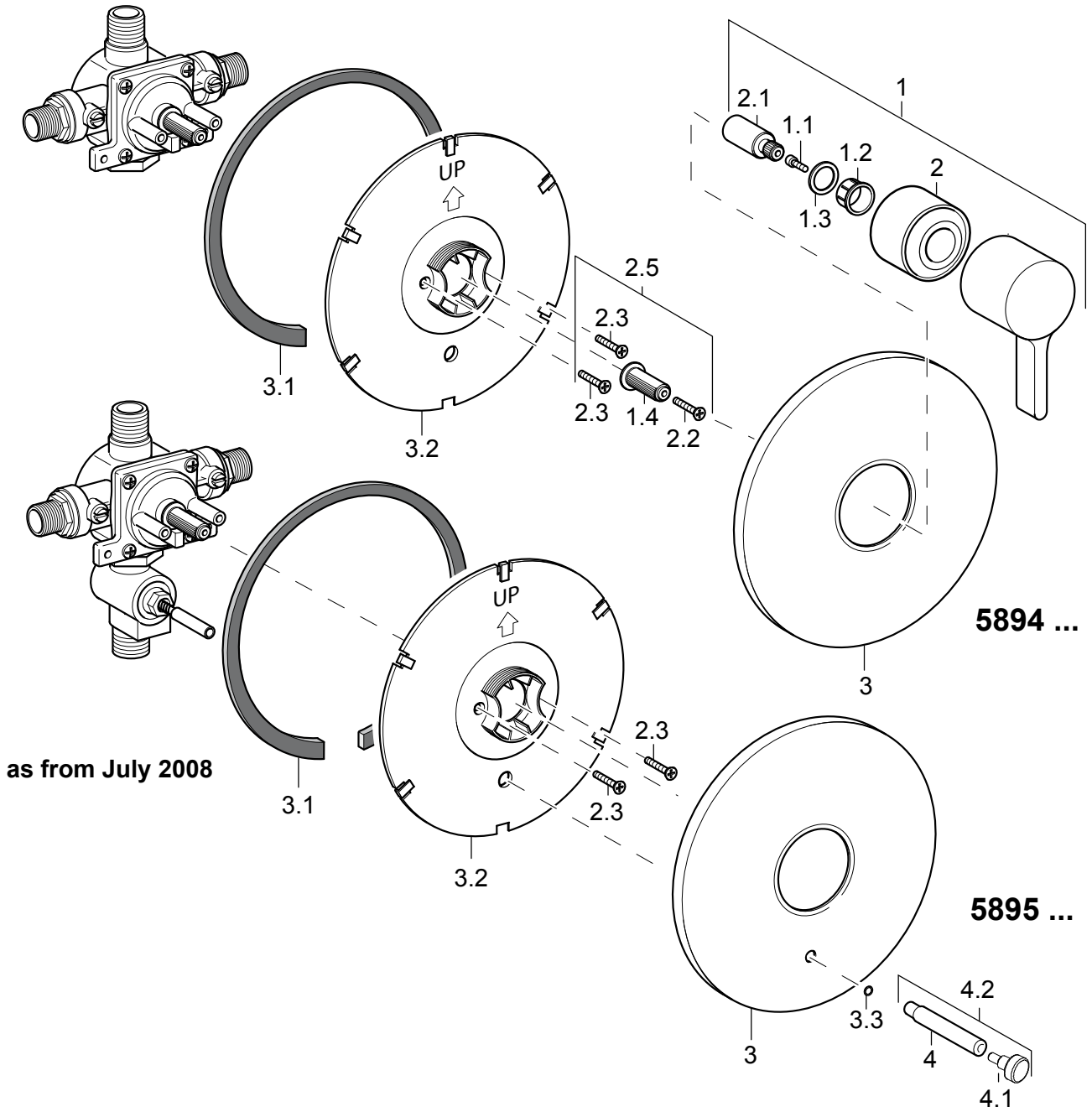
S 04.90.0A



# HANSA

Sigmaringer Straße 107  
70567 Stuttgart  
Postfach 81 02 40  
70519 Stuttgart

Telefon: 07 11/16 14-0  
Telefax: 07 11/16 14-3 68  
www.hansa.de



Trim kit for pressure balance, HansaForm

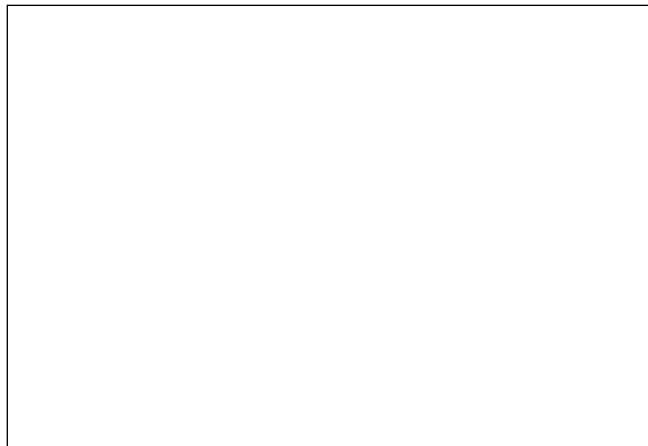
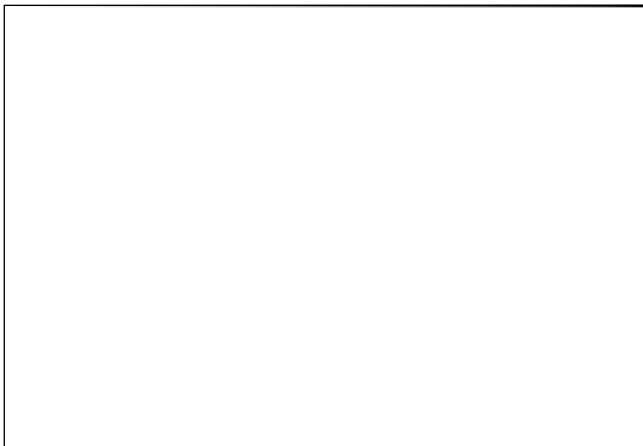
Nr. 5895 9101

Starting in 7/08

Trim kit for pressure balance, HansaForm

Nr. 5894 9101

Starting in 7/08





Sigmaringer Straße 107  
70567 Stuttgart  
Postfach 81 02 40  
70519 Stuttgart

Telefon 07 11/16 14-0  
Telefax: 07 11/16 14-3 68  
www.hansa.de



# HANSA

Side

**S 04.90.0A**

**Trim kit for pressure balance, HansaForm**

		<b>5894 . . .</b>	chrome	brushed nickel
Pos.	Designation		5894 9101 0017	5894 9101 3217
1.	Form handle pressure balance, complete		<b>59 913 659</b>	<b>59 913 660</b>
1.1	Hex screw M 3 x 8		59 913 537	←
1.2	Bushing		59 913 535	←
1.3	Spring washer			
1.4	Handle adapter		59 913 534	←
2.	Form cartridge cover			
2.1	Bar			
2.2	Screw M 3,5 x 30			
2.3	Screw M 4 x 25			
2.4	Screw and fixing kit (consists of 2.1, 2.2, 2.3, 3.3)			
2.5	Handle adapter with screw kit (consists of 1.4, 2.2, 2.3)		<b>59 913 661</b>	←
3.	Form wall escutcheon pressure balance		<b>59 913 797</b>	<b>59 913 798</b>
3.1	Seal 183 x 163 x 2,5		59 913 789	
3.2	Escutcheon holder		<b>59 913 612</b>	←
		<b>5895 . . .</b>		
Pos.	Designation		5895 9101 0017	5889 9101 3217
1.	Form handle pressure balance, complete		<b>59 913 659</b>	<b>59 913 660</b>
1.1	Hex screw M 3 x 8		59 913 537	←
1.2	Bushing		59 913 535	←
1.3	Spring washer			
1.4	Handle adapter		59 913 534	←
2.	Form cartridge cover			
2.1	Bar			
2.2	Screw M 3,5 x 30			
2.3	Screw M 4 x 25			
2.4	Screw and fixing kit (consists of 2.1, 2.2, 2.3, 3.3)			
2.5	Handle adapter with screw kit (consists of 1.4, 2.2, 2.3)		<b>59 913 661</b>	←
3.	Form wall escutcheon pressure balance with diverter		<b>59 913 799</b>	<b>59 913 800</b>
3.1	Seal 183 x 163 x 2,5		59 913 789	
3.2	Escutcheon holder		<b>59 913 612</b>	←
3.3	Seal			
4.	Lift rod		<b>59 913 610</b>	<b>59 913 611</b>
4.1	Form lift knob pressure balance		59 913 615	59 913 616
4.2	Lift rod with Form lift knob diverter system 46 mm complete as from 2008		<b>59 913 662</b>	<b>59 913 663</b>